



Hidrolik Boru Kelepçeleri
Hydraulic Pipe Clamps

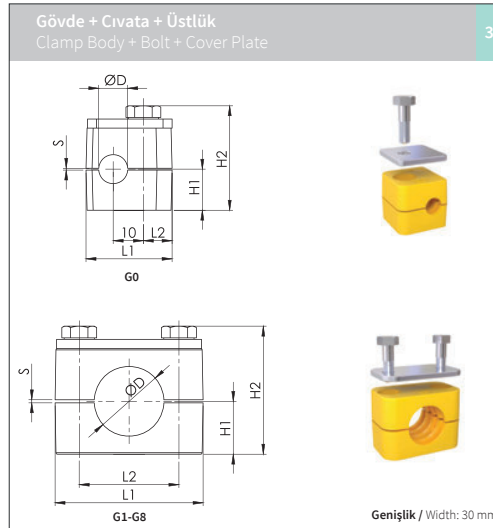


Standart Seri / Standard Series

Metal + Kaplama Tipi		Gövde Malzemesi	
Metal + Surface Finishing		Clamp Body Material	
0	Kaplamasız / Uncoated	A	Alüminyum / Aluminum
1	Fosfat / Phosphated / Fe/Znph	N	Polyamid / Polyamide
3	Galvaniz / Galvanized / Fe/Zn 8C Cr3-B	T	TPE
4	CrNi 304 / AISI 304	P	Polipropilen / Polypropylene
6	CrNi 316 / AISI 316		
9	Çinko Nikel / Zinc Nickel / Fe/ZnNi		

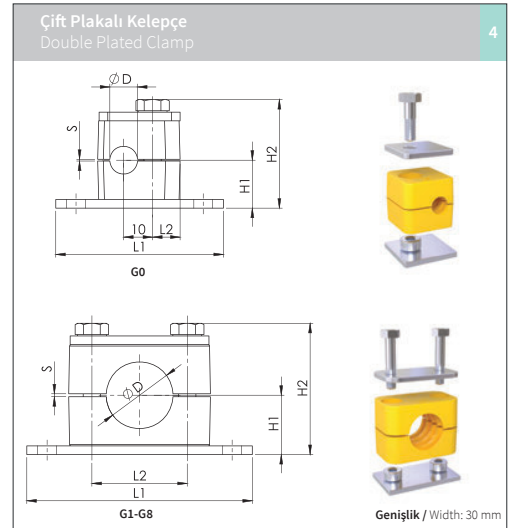
Farklı malzeme talepleriniz için lütfen LMC Makina'ya danışınız.

For different material request please consult LMC Makina.



C	D	6	8	M	1	3	P	1	S	G	1	X	X	X	.	X

Metal + Kaplama Tipi / Metal + Surface Finishing
 Gövde Malzemesi / Clamp Body Material
 Gövde Renk / Clamp Body Colour
 Grup / Group
 Ölçü / Size



C	M	4	0	M	1	3	P	1	S	G	1	X	X	X	.	X

Metal + Kaplama Tipi / Metal + Surface Finishing
 Gövde Malzemesi / Clamp Body Material
 Gövde Renk / Clamp Body Colour
 Grup / Group
 Ölçü / Size

Grup	Dış Çap (ØD)	Anma Çapı (R) Boru Dışı	Dış Çap (ØD)
Group	O.D. of Pipe / Tube/Hose mm	Nominal Bore Pipe inch	O.D. of Pipe / Tube/Hose inch
G0	6		
	6.4		1/4
	8		5/16
	9.5		3/8
	10	R 1/8	
G1	12		
	6		
	6.4		1/4
	8		5/16
	9.5		3/8
G2	10	R 1/8	
	12		
	12.7		1/2
	13.5	R 1/4	
	14		
G3	15		
	16		5/8
	17.2	R 3/8	
	18		
	19		3/4
G4	20		
	21.3	R 1/2	
	22		7/8
	23		
	25		1
G5	25.4		
	26.9	R 3/4	
	28		
	30		
	32		1 1/4
G6	33.7	R 1	
	35		
	38		1 1/2
	40		
	42	R 1 1/4	
G7	44.5		1 3/4
	48.3	R 1 1/2	
	50.8		2
	57.2		2 1/4
	60.3	R 2	
G8	63.5		2 1/2
	70		2 3/4
	73		
	76.1	R 2 1/2	3
	88.9	R 3	3 1/2
101.6		4	

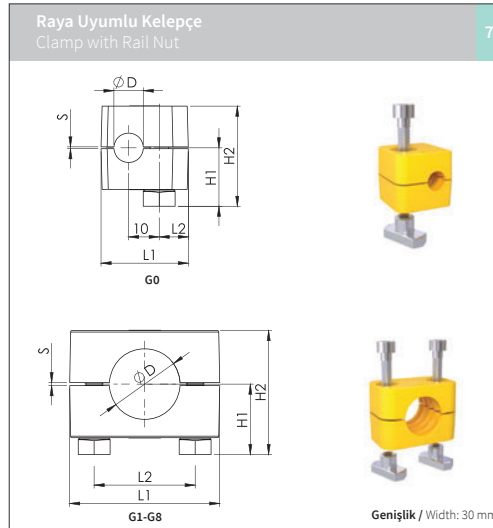
Ölçü Tablosu						Sipariş Kodu
Dimension Table						Order Code
L1	L2	H1	H2	S min.		
28	9.5	13.5	34	0.4	CD68M13P1SG0006.0	CD68M13P1SG0006.4
					CD68M13P1SG0008.0	CD68M13P1SG0009.5
					CD68M13P1SG0010.0	CD68M13P1SG0012.0
					CD68M13P1SG1006.0	CD68M13P1SG1006.4
					CD68M13P1SG1008.0	CD68M13P1SG1009.5
					CD68M13P1SG1010.0	CD68M13P1SG1012.0
					CD68M13P1SG2012.7	CD68M13P1SG2013.5
37	20	13.5	34	0.4	CD68M13P1SG2014.0	CD68M13P1SG2015.0
					CD68M13P1SG2016.0	CD68M13P1SG2017.2
					CD68M13P1SG2018.0	CD68M13P1SG3019.0
					CD68M13P1SG3020.0	CD68M13P1SG3021.3
					CD68M13P1SG3022.0	CD68M13P1SG3023.0
					CD68M13P1SG3025.0	CD68M13P1SG3025.4
					CD68M13P1SG4026.9	CD68M13P1SG4028.0
42	26	16.5	40	0.6	CD68M13P1SG4030.0	CD68M13P1SG5032.0
					CD68M13P1SG5033.7	CD68M13P1SG5035.0
					CD68M13P1SG5038.0	CD68M13P1SG5040.0
					CD68M13P1SG5042.0	CD68M13P1SG6044.5
					CD68M13P1SG6048.3	CD68M13P1SG6050.8
					CD68M13P1SG7057.2	CD68M13P1SG7060.3
					CD68M13P1SG7063.5	CD68M13P1SG7070.0
50	33	18	43	0.6	CD68M13P1SG7073.0	CD68M13P1SG7076.1
					CD68M13P1SG8088.9	CD68M13P1SG8101.6

Ölçü Tablosu						Sipariş Kodu
Dimension Table						Order Code
L1	L2	H1	H2	S min.		
31.5	9.5	16.5	37	0.4	CM40M13P1SG0006.0	CM40M13P1SG0006.4
					CM40M13P1SG0008.0	CM40M13P1SG0009.5
					CM40M13P1SG0010.0	CM40M13P1SG0012.0
					CM40M13P1SG1006.0	CM40M13P1SG1006.4
					CM40M13P1SG1008.0	CM40M13P1SG1009.5
					CM40M13P1SG1010.0	CM40M13P1SG1012.0
					CM40M13P1SG2012.7	CM40M13P1SG2013.5
36	20	16.5	37	0.4	CM40M13P1SG2014.0	CM40M13P1SG2015.0
					CM40M13P1SG2016.0	CM40M13P1SG2017.2
					CM40M13P1SG2018.0	CM40M13P1SG3019.0
					CM40M13P1SG3020.0	CM40M13P1SG3021.3
					CM40M13P1SG3022.0	CM40M13P1SG3023.0
					CM40M13P1SG3025.0	CM40M13P1SG3025.4
					CM40M13P1SG4026.9	CM40M13P1SG4028.0
42	26	19.5	43	0.6	CM40M13P1SG4030.0	CM40M13P1SG5032.0
					CM40M13P1SG5033.7	CM40M13P1SG5035.0
					CM40M13P1SG5038.0	CM40M13P1SG5040.0
					CM40M13P1SG5042.0	CM40M13P1SG6044.5
					CM40M13P1SG6048.3	CM40M13P1SG6050.8
					CM40M13P1SG7057.2	CM40M13P1SG7060.3
					CM40M13P1SG7063.5	CM40M13P1SG7070.0
50	33	21	46	0.6	CM40M13P1SG7073.0	CM40M13P1SG7076.1
					CM40M13P1SG8088.9	CM40M13P1SG8101.6

Metal + Kaplama Tipi		Gövde Malzemesi	
Metal + Surface Finishing		Clamp Body Material	
0	Kaplamasız / Uncoated	A	Alüminyum / Aluminum
1	Fosfat / Phosphated / Fe/Znph	N	Polyamid / Polyamide
3	Galvaniz / Galvanized / Fe/Zn 8C Cr3-B	T	TPE
4	CrNi 304 / AISI 304	P	Polipropilen / Polypropylene
6	CrNi 316 / AISI 316		
9	Çinko Nikel / Zinc Nickel / Fe/ZnNi		

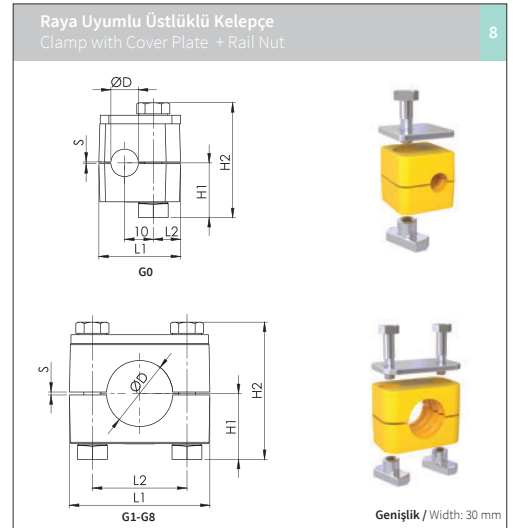
Farklı malzeme talepleriniz için lütfen LMC Makina'ya danışınız.

For different material request please consult LMC Makina.



C	D	3	0	M	0	3	P	1	S	G	0	X	X	X	.	X

Metal + Kaplama Tipi / Metal + Surface Finishing
 Gövde Malzemesi / Clamp Body Material
 Gövde Renk / Clamp Body Colour
 Grup / Group
 Ölçü / Size



C	D	7	0	M	1	3	P	1	S	G	0	X	X	X	.	X

Metal + Kaplama Tipi / Metal + Surface Finishing
 Gövde Malzemesi / Clamp Body Material
 Gövde Renk / Clamp Body Colour
 Grup / Group
 Ölçü / Size

Grup	Dış Çap (ØD)	Anma Çapı (R) Boru Dış	Dış Çap (ØD)
Group	O.D. of Pipe / Tube/Hose mm	Nominal Bore Pipe inch	O.D. of Pipe / Tube/Hose inch
G0	6		
	6.4		1/4
	8		5/16
	9.5	R 1/8	3/8
	10		
G1	12		
	6		
	6.4		1/4
	8		5/16
	9.5	R 1/8	3/8
G2	10		
	12		
	12.7		1/2
	13.5	R 1/4	
	14		
	15		
	16		5/8
17.2	R 3/8		
G3	18		
	19		3/4
	20		
	21.3	R 1/2	
	22		7/8
	23		
G4	25		
	25.4		1
	26.9	R 3/4	
G5	28		
	30		
	32		1 1/4
	33.7	R 1	
	35		
	38		1 1/2
G6	40		
	42	R 1 1/4	
	44.5		1 3/4
G7	48.3	R 1 1/2	
	50.8		2
G8	57.2		2 1/4
	60.3	R 2	
	63.5		2 1/2
	70		2 3/4
	73		
	76.1	R 2 1/2	3
G8	88.9	R 3	3 1/2
	101.6		4

Ölçü Tablosu						Sipariş Kodu
Dimension Table						
L1	L2	H1	H2	S min.		
28	9.5	20.5	34	0.4	CD30M03P1SG0006.0	
					CD30M03P1SG0006.4	
					CD30M03P1SG0008.0	
					CD30M03P1SG0009.5	
					CD30M03P1SG0010.0	
					CD30M03P1SG0012.0	
37	20	20.5	34	0.4	CD30M03P1SG1006.0	
					CD30M03P1SG1006.4	
					CD30M03P1SG1008.0	
					CD30M03P1SG1009.5	
					CD30M03P1SG1010.0	
					CD30M03P1SG1012.0	
42	26	23.5	40	0.6	CD30M03P1SG2012.7	
					CD30M03P1SG2013.5	
					CD30M03P1SG2014.0	
					CD30M03P1SG2015.0	
					CD30M03P1SG2016.0	
					CD30M03P1SG2017.2	
					CD30M03P1SG2018.0	
					CD30M03P1SG3019.0	
50	33	25	43	0.6	CD30M03P1SG3020.0	
					CD30M03P1SG3021.3	
					CD30M03P1SG3022.0	
					CD30M03P1SG3023.0	
					CD30M03P1SG3025.0	
					CD30M03P1SG3025.4	
59	40	28	49	0.6	CD30M03P1SG4026.9	
					CD30M03P1SG4028.0	
					CD30M03P1SG4030.0	
71	52	35	65	0.8	CD30M03P1SG5032.0	
					CD30M03P1SG5033.7	
					CD30M03P1SG5035.0	
					CD30M03P1SG5038.0	
					CD30M03P1SG5040.0	
					CD30M03P1SG5042.0	
86	66	40	73	0.8	CD30M03P1SG6044.5	
					CD30M03P1SG6048.3	
					CD30M03P1SG6050.8	
121	94	53.5	100	0.8	CD30M03P1SG7057.2	
					CD30M03P1SG7060.3	
					CD30M03P1SG7063.5	
					CD30M03P1SG7070.0	
					CD30M03P1SG7073.0	
					CD30M03P1SG7076.1	
147	120	66	125	0.8	CD30M03P1SG8088.9	
					CD30M03P1SG8101.6	

Ölçü Tablosu						Sipariş Kodu
Dimension Table						
L1	L2	H1	H2	S min.		
28	9.5	20.5	41	0.4	CD70M13P1SG0006.0	
					CD70M13P1SG0006.4	
					CD70M13P1SG0008.0	
					CD70M13P1SG0009.5	
					CD70M13P1SG0010.0	
					CD70M13P1SG0012.0	
37	20	20.5	41	0.4	CD70M13P1SG1006.0	
					CD70M13P1SG1006.4	
					CD70M13P1SG1008.0	
					CD70M13P1SG1009.5	
					CD70M13P1SG1010.0	
					CD70M13P1SG1012.0	
42	26	23.5	47	0.6	CD70M13P1SG2012.7	
					CD70M13P1SG2013.5	
					CD70M13P1SG2014.0	
					CD70M13P1SG2015.0	
					CD70M13P1SG2016.0	
					CD70M13P1SG2017.2	
					CD70M13P1SG2018.0	
					CD70M13P1SG3019.0	
50	33	25	50	0.6	CD70M13P1SG3020.0	
					CD70M13P1SG3021.3	
					CD70M13P1SG3022.0	
					CD70M13P1SG3023.0	
					CD70M13P1SG3025.0	
					CD70M13P1SG3025.4	
59	40	28	56	0.6	CD70M13P1SG4026.9	
					CD70M13P1SG4028.0	
					CD70M13P1SG4030.0	
71	52	35	72	0.8	CD70M13P1SG5032.0	
					CD70M13P1SG5033.7	
					CD70M13P1SG5035.0	
					CD70M13P1SG5038.0	
					CD70M13P1SG5040.0	
					CD70M13P1SG5042.0	
86	66	40	80	0.8	CD70M13P1SG6044.5	
					CD70M13P1SG6048.3	
					CD70M13P1SG6050.8	
121	94	53.5	109	0.8	CD70M13P1SG7057.2	
					CD70M13P1SG7060.3	
					CD70M13P1SG7063.5	
					CD70M13P1SG7070.0	
					CD70M13P1SG7073.0	
					CD70M13P1SG7076.1	
147	120	66	134	0.8	CD70M13P1SG8088.9	
					CD70M13P1SG8101.6	

