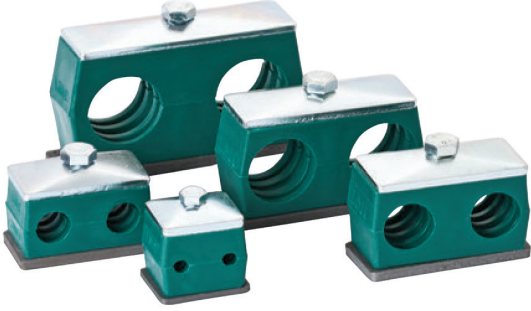


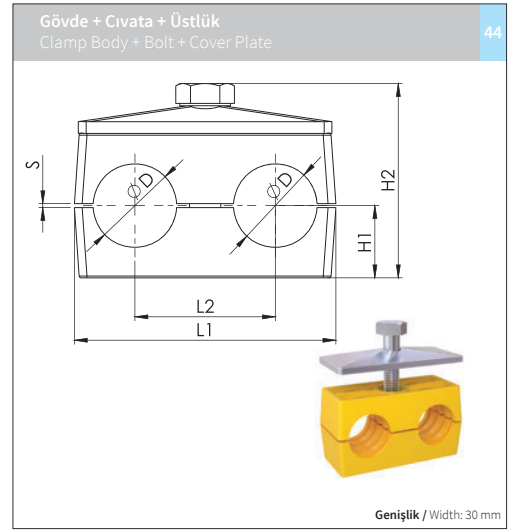
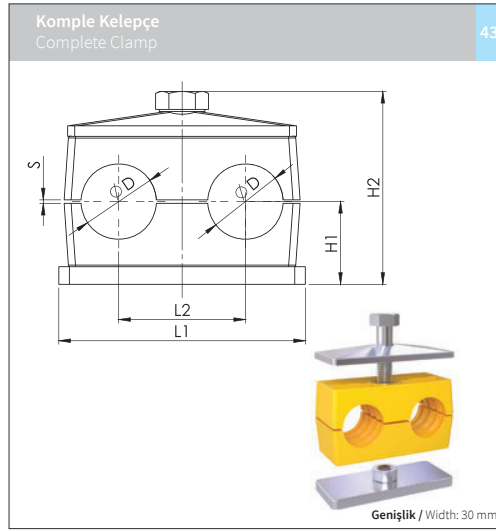


Hidrolik Boru Kelepçeleri
Hydraulic Pipe Clamps



İkiz Seri / Twin Series

Metal + Kaplama Tipi		Gövde Malzemesi	
Metal + Surface Finishing		Clamp Body Material	
0	Kaplanasız / Uncoated	A	Alüminyum / Aluminum
1	Fosfat / Phosphated / Fe/Znph	N	Polyamid / Polyamide
3	Galvaniz / Galvanized / Fe/Zn 8C Cr3-B	T	TPE
4	CrNi 304 AISI 304	P	Polipropilen / Polypropylene
6	CrNi 316 AISI 316		
9	Çinko Nikel / Zinc Nickel / Fe/ZnNi		



Farklı malzeme talepleriniz için lütfen LMC Makina'ya danışınız.

For different material request please consult LMC Makina.

CM	4	0	M	1	3	P	1	S	I	1	X	X	X	.	X

Metal + Kaplama Tipi / Metal + Surface Finishing
 Gövde Malzemesi / Clamp Body Material
 Gövde Renk / Clamp Body Colour
 Grup / Group
 Ölçü / Size

CD	6	8	M	1	3	P	1	S	I	1	X	X	X	.	X

Metal + Kaplama Tipi / Metal + Surface Finishing
 Gövde Malzemesi / Clamp Body Material
 Gövde Renk / Clamp Body Colour
 Grup / Group
 Ölçü / Size

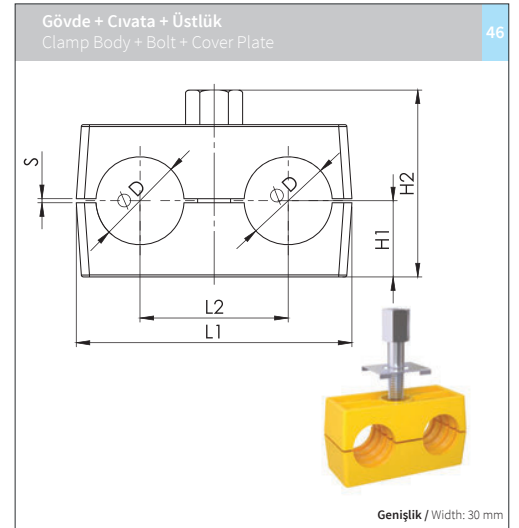
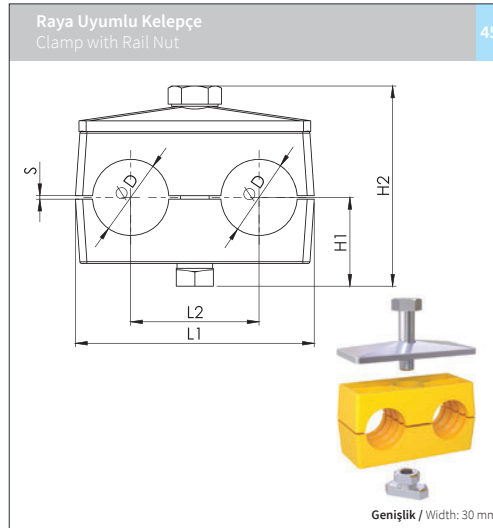
Grup	Dış Çap (ØD)	Anma Çapı (R) Boru Dış	Dış Çap (ØD)
Group	O.D. of Pipe / Tube/Hose mm	Nominal Bore Pipe inch	O.D. of Pipe / Tube/Hose inch
I1	6		
	6.4		1/4
	8		5/16
	9.5		3/8
	10	R 1/8	
I2	12.7		1/2
	13.5	R 1/4	
	14		
	15		
	16		3/8
I3	17.2	R 3/8	
	18		
	19		3/4
	20		
	21.3	R 1/2	
I4	22		7/8
	23		
	25		
	25.4		1
I5	26.9	R 3/4	
	28		
	30		
I5	32		1 1/4
	33.7	R 1	
	35		
	38		1 1/2
	40		
42	R 1 1/4		

Ölçü Tablosu					Sipariş Kodu
Dimension Table					
L1	L2	H1	H2	S min.	
37	20	16.5	41	0.6	CM40M13P1SI1006.0
					CM40M13P1SI1006.4
					CM40M13P1SI1008.0
					CM40M13P1SI1009.5
					CM40M13P1SI1010.0
					CM40M13P1SI1012.0
55	29	18.5	44.5	0.7	CM40M13P1SI2012.7
					CM40M13P1SI2013.5
					CM40M13P1SI2014.0
					CM40M13P1SI2015.0
					CM40M13P1SI2016.0
					CM40M13P1SI2017.2
70	36	23.5	54.5	0.7	CM40M13P1SI3019.0
					CM40M13P1SI3020.0
					CM40M13P1SI3021.3
					CM40M13P1SI3022.0
					CM40M13P1SI3023.0
					CM40M13P1SI3025.0
85	45	25.5	58.5	0.7	CM40M13P1SI4026.9
					CM40M13P1SI4028.0
					CM40M13P1SI4030.0
110	56	32	71.5	0.7	CM40M13P1SI5032.0
					CM40M13P1SI5033.7
					CM40M13P1SI5035.0
					CM40M13P1SI5038.0
					CM40M13P1SI5040.0
CM40M13P1SI5042.0					

Ölçü Tablosu					Sipariş Kodu
Dimension Table					
L1	L2	H1	H2	S min.	
36	20	13.5	38	0.6	CD68M13P1SI1006.0
					CD68M13P1SI1006.4
					CD68M13P1SI1008.0
					CD68M13P1SI1009.5
					CD68M13P1SI1010.0
					CD68M13P1SI1012.0
53	29	13.5	39.5	0.7	CD68M13P1SI2012.7
					CD68M13P1SI2013.5
					CD68M13P1SI2014.0
					CD68M13P1SI2015.0
					CD68M13P1SI2016.0
					CD68M13P1SI2017.2
67	36	18.5	49.5	0.7	CD68M13P1SI3019.0
					CD68M13P1SI3020.0
					CD68M13P1SI3021.3
					CD68M13P1SI3022.0
					CD68M13P1SI3023.0
					CD68M13P1SI3025.0
82	45	20.5	53.5	0.7	CD68M13P1SI4026.9
					CD68M13P1SI4028.0
					CD68M13P1SI4030.0
106	56	27	66.5	0.7	CD68M13P1SI5032.0
					CD68M13P1SI5033.7
					CD68M13P1SI5035.0
					CD68M13P1SI5038.0
					CD68M13P1SI5040.0
CD68M13P1SI5042.0					

* İstek üzerine, ikiz seri boru kelepçelerinin delikleri birbirinden farklı çaplarda da üretilebilmektedir.
 * In twin series pipe clamps, the diameter of each pipe hole can be produced with different sizes upon request.

Metal + Kaplama Tipi		Gövde Malzemesi	
Metal + Surface Finishing		Clamp Body Material	
0	Kaplamasız / Uncoated	A	Alüminyum / Aluminum
1	Fosfat / Phosphated / Fe/Znph	N	Polyamid / Polyamide
3	Galvaniz / Galvanized / Fe/Zn 8C Cr3-B	T	TPE
4	CrNi 304 / AISI 304	P	Polipropilen / Polypropylene
6	CrNi 316 / AISI 316		
9	Çinko Nikel / Zinc Nickel / Fe/ZnNi		



Farklı malzeme talepleriniz için lütfen LMC Makina'ya danışınız.

For different material request please consult LMC Makina.

C	D	7	0	M	1	3	P	1	S	I	1	X	X	X	.	X

Metal + Kaplama Tipi / Metal + Surface Finishing
 Gövde Malzemesi / Clamp Body Material
 Gövde Renk / Clamp Body Colour
 Grup / Group
 Ölçü / Size

C	D	a	a	M	6	3	P	1	S	I	1	X	X	X	.	X

Metal + Kaplama Tipi / Metal + Surface Finishing
 Gövde Malzemesi / Clamp Body Material
 Gövde Renk / Clamp Body Colour
 Grup / Group
 Ölçü / Size

Grup	Diş Çap (ØD)	Anma Çapı (R) Boru Diş	Diş Çap (ØD)
Group	O.D. of Pipe / Tube / Hose mm	Nominal Bore Pipe inch	O.D. of Pipe / Tube / Hose inch
I1	6		
	6.4		1/4
	8		5/16
	9.5		3/8
	10	R 1/8	
	12		
I2	12.7		1/2
	13.5	R 1/4	
	14		
	15		
	16		3/8
	17.2	R 3/8	
18			
I3	19		3/4
	20		
	21.3	R 1/2	
	22		7/8
	23		
	25		
25.4		1	
I4	26.9	R 3/4	
	28		
	30		
I5	32		1 1/4
	33.7	R 1	
	35		
	38		1 1/2
	40		
	42	R 1 1/4	

Ölçü Tablosu						Sipariş Kodu
Dimension Table						Order Code
L1	L2	H1	H2	S min.		
36	20	20.5	45	0.6	CD70M13P1SI1006.0	
					CD70M13P1SI1006.4	
					CD70M13P1SI1008.0	
					CD70M13P1SI1009.5	
					CD70M13P1SI1010.0	
					CD70M13P1SI1012.0	
53	29	20.5	46.5	0.7	CD70M13P1SI2012.7	
					CD70M13P1SI2013.5	
					CD70M13P1SI2014.0	
					CD70M13P1SI2015.0	
					CD70M13P1SI2016.0	
					CD70M13P1SI2017.2	
CD70M13P1SI2018.0						
67	36	25.5	56.5	0.7	CD70M13P1SI3019.0	
					CD70M13P1SI3020.0	
					CD70M13P1SI3021.3	
					CD70M13P1SI3022.0	
					CD70M13P1SI3023.0	
					CD70M13P1SI3025.0	
CD70M13P1SI3025.4						
82	45	27.5	60.5	0.7	CD70M13P1SI4026.9	
					CD70M13P1SI4028.0	
					CD70M13P1SI4030.0	
106	56	34	73.5	0.7	CD70M13P1SI5032.0	
					CD70M13P1SI5033.7	
					CD70M13P1SI5035.0	
					CD70M13P1SI5038.0	
					CD70M13P1SI5040.0	
					CD70M13P1SI5042.0	

Ölçü Tablosu						Sipariş Kodu
Dimension Table						Order Code
L1	L2	H1	H2	S min.		
36	20	13.5	33	0.6	CDaaM63P1SI1006.0	
					CDaaM63P1SI1006.4	
					CDaaM63P1SI1008.0	
					CDaaM63P1SI1009.5	
					CDaaM63P1SI1010.0	
					CDaaM63P1SI1012.0	
53	29	13.5	33	0.7	CDaaM63P1SI2012.7	
					CDaaM63P1SI2013.5	
					CDaaM63P1SI2014.0	
					CDaaM63P1SI2015.0	
					CDaaM63P1SI2016.0	
					CDaaM63P1SI2017.2	
CDaaM63P1SI2018.0						
67	36	18.5	43	0.7	CDaaM63P1SI3019.0	
					CDaaM63P1SI3020.0	
					CDaaM63P1SI3021.3	
					CDaaM63P1SI3022.0	
					CDaaM63P1SI3023.0	
					CDaaM63P1SI3025.0	
CDaaM63P1SI3025.4						
82	45	20.5	47	0.7	CDaaM63P1SI4026.9	
					CDaaM63P1SI4028.0	
					CDaaM63P1SI4030.0	
106	56	27	60	0.7	CDaaM63P1SI5032.0	
					CDaaM63P1SI5033.7	
					CDaaM63P1SI5035.0	
					CDaaM63P1SI5038.0	
					CDaaM63P1SI5040.0	
					CDaaM63P1SI5042.0	

* İstek üzerine, ikiz seri boru kelepçelerinin delikleri birbirinden farklı çaplarda da üretilebilmektedir.

* In twin series pipe clamps, the diameter of each pipe hole can be produced with different sizes upon request.