



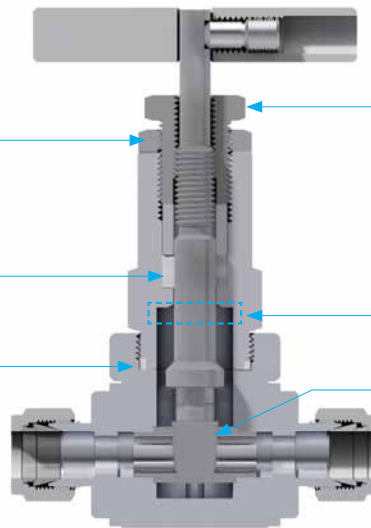
Features

- Pressure up to 3600 psig (248 bar)
- Temperature up to -65°F (-53°C) ~ 449°F (232°C) with Standard PTFE Packing
- End connection : Screwed End 1/4 ~ 1", DK-Lok Tube Fitting 1/8 ~ 1"
- Straight through flow path for providing a minimum pressure drop and maximum flow
- Valve stem back seating against the bevelled edge of bonnet in fully open position prevents maximum leakage through bonnet when packing fails

prevents accidental
Packing Bolt disassembly

Packing seal to PTFE

Spiral wound gasket
SS316 With Graphite



Packing bolt design permits
packing adjustments in the
open position

Stem back seating
Fully open position

Wedge & Seat Ring Stellite
hard facing at Closure is for
maximum metal seat life and
positive seal.

Design

- DK-LOK Gate valve are design to ASME B16.34 Class 1500 pressure rating
- NPT thread connections in accordance with ASME B1.20.1

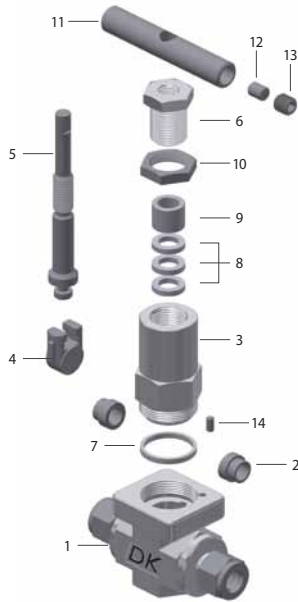
Factory Test

- Every valve is factory tested with nitrogen @ 69 bar (1000 psig) for leakage at the seat to a maximum allowable leak rate of 0.1 SCCM.
- Stem packing is tested for no detectable leakage.

Cleaning and Packaging

- Every valve is cleaned and packaged in accordance with DK-LOK cleaning standard DC-01.

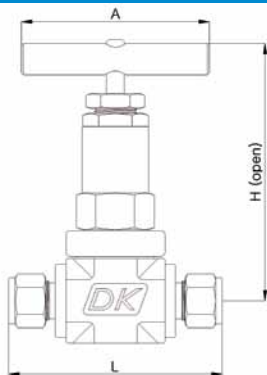
Materials of Construction



Component	Valve Material
1. Body	ASTM A182 F316
2. Seat ring	ASTM A279 TYPE 316 (Hard facing)
3. Bonnet	ASTM A279 TYPE 316
4. Wedge	ASTM A351 CF8M (Hard facing)
5. Stem	ASTM A279 TYPE 316
6. Packing bolt	ASTM A279 TYPE 316
7. Bonnet Packing	PTFE
8. Packing	PTFE
9. Gland	ASTM A279 TYPE 316
10. Lock Nut	ASTM A279 TYPE 316
11. Handle	ASTM A279 TYPE 316
12. Handle pin	Stainless steel
13. Bolt	Stainless steel
14. Pin	Stainless steel

Wetted components are listed in blue.

Dimensions



Basic Ordering Number	End Connection	Orifice	Dimensions, mm(inch)			
			L	H	A	
V43	F6N	3/8" Female NPT	10 (0.394)	86 (3.39)	140 (5.51)	89 (3.5)
	F8N	1/2" Female NPT				
	D8T	1/2" DK-LOK				
	D12T	3/4" DK-LOK		100 (3.94)		
	SW6P	3/8" Socket Weld				
	SW8P	1/2" Socket Weld		86 (3.39)		

All dimensions shown are for reference only and are subject to change.

Ordering Information

Select valve basic ordering number, applicable Packing, body material, Connection size, Valve Class Rating

V43	- F8N	-E	-G	-S
Connection	Class Rating	Packing Material	Valve Body Material Designator	
Female NPT 3/8" : F6N F8N D8T D12T SW6P SW8P	Nil : Class 1500	Nil : PTFE G : Graphite	S : ASTM A182 F316	

Safe Valve Selection

The selection of a valve for any application or system design must be considered to ensure safe performance. Valve function, valve rating, material compatibility, proper installation, operation and maintenance remain the sole responsibility of the system designer and the user. DK-Lok accepts no liability for any improper selection, installation, operation or maintenance.

 Fittings & Valves www.dklok.com	IDK-LOK Corporation Mailing Address 7, Golden root-ro 129beon-gil, Juchon-myeon, Gimhae-si, Gyeongsangnam-do, South Korea 621-842	DK-Lok contact information Tel. (82) 55-338-0114 Fax. (82) 55-901-0143 E-mail : sales@dklok.com	For International customers Tel. (82) 55-338-0031/2 Fax. (82) 55-901-0142 E-mail : dklok@dklok.com
---	---	--	---